

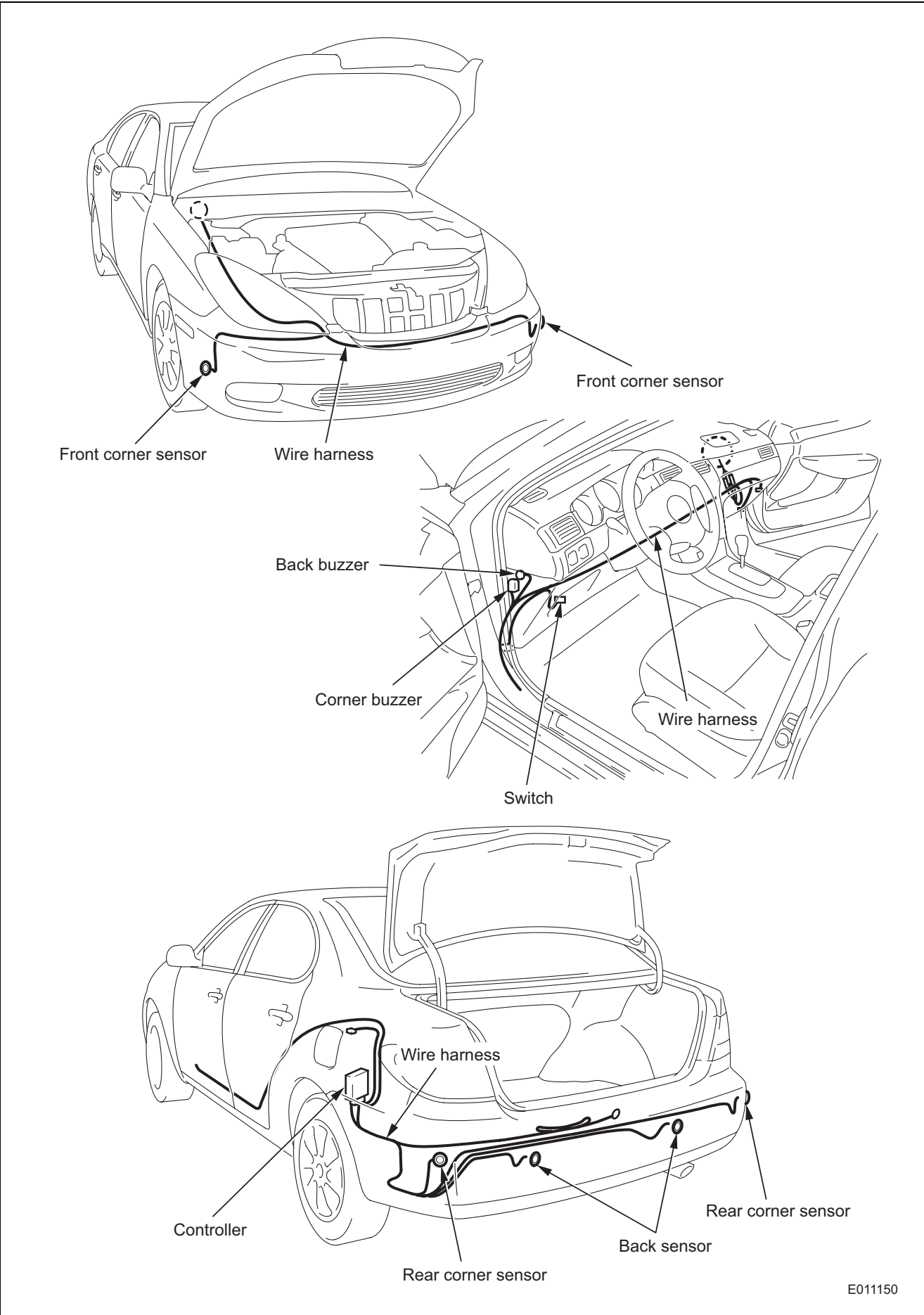
**DEALER'S**

# **PARKING CORNER SENSOR TROUBLESHOOTING • WIRING DIAGRAM MANUAL**

This manual describes the troubleshooting and the wiring diagram of Parking Corner Sensor. Please make use of this manual for correct, quick, and safe inspection and repair.

**TOYOTA MOTOR CORPORATION**  
**DENSO CORPORATION**

# INSTALLATION LAYOUT



E011150

# TROUBLESHOOTING

1 Nothing happens after the ignition is switched on.  
(Initial check function also does not work.)

## MEMO

*\*Initial check function*

*About 0.4 seconds after the system power is set to ON, buzzer will be heard for about 1 second continuously.*

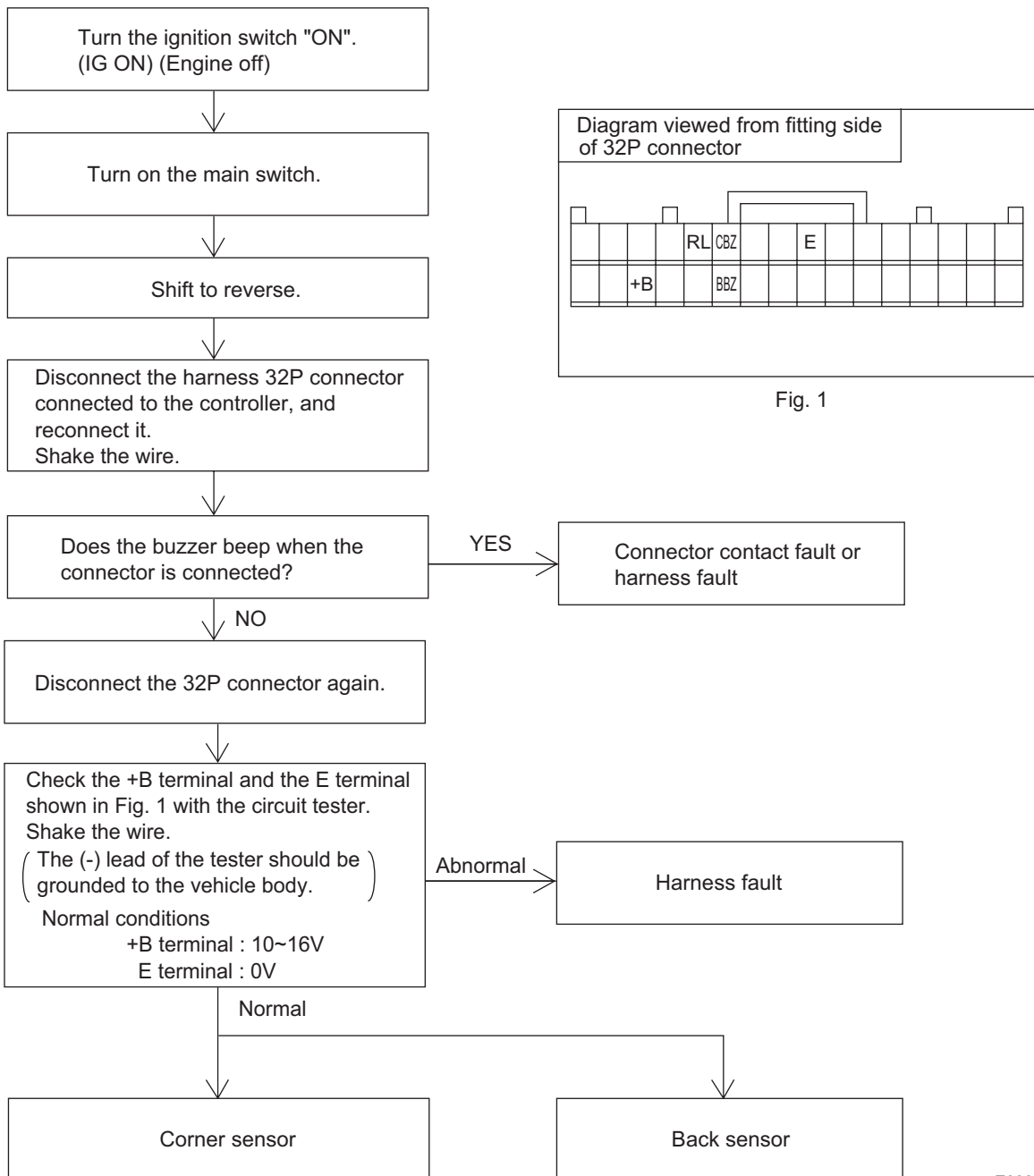
*( System power ON means that the all following conditions have been satisfied.*

*Corner : Turn the ignition switch "ON" (IG ON), Turn on the main switch.*

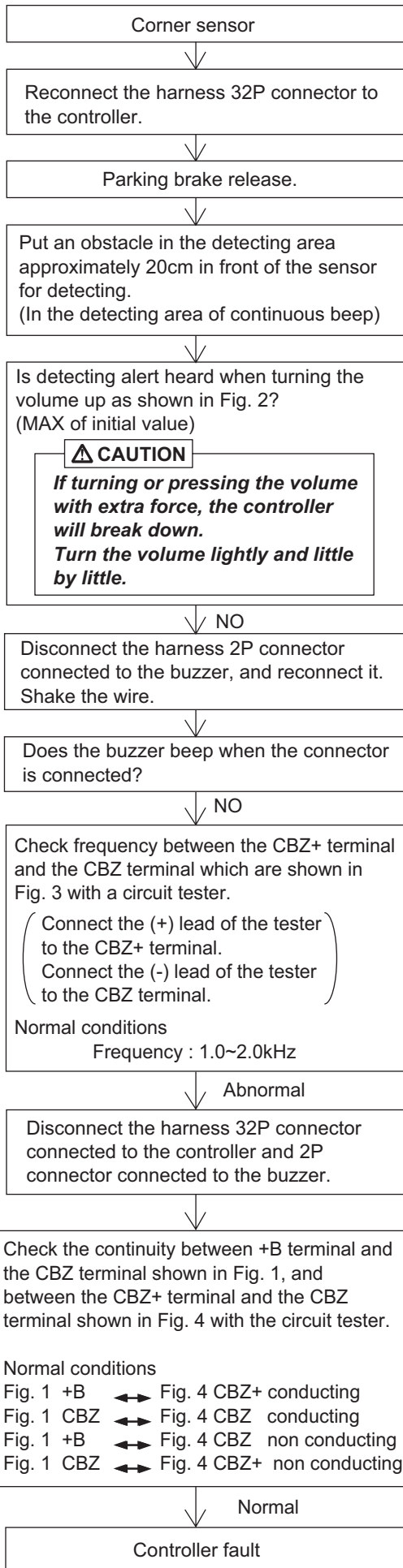
*Back : Turn the ignition switch "ON" (IG ON), Turn on the main switch, Reverse ON.)*

## CAUTION

- Provide a check to prevent the vehicle from moving.
- Do not carry out the work while the engine is running.  
(Working during engine stop may cause the battery to run out.)



E033732



**CAUTION**  
 If turning or pressing the volume with extra force, the controller will break down. Turn the volume lightly and little by little.

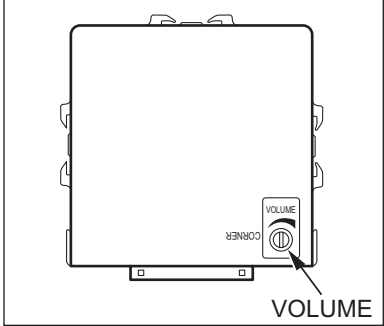


Fig. 2

Improper setting for buzzer volume.

Connector contact fault or harness fault

Buzzer fault

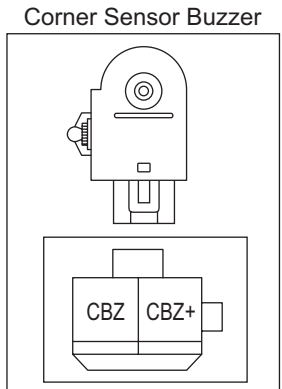


Fig. 3

Harness fault

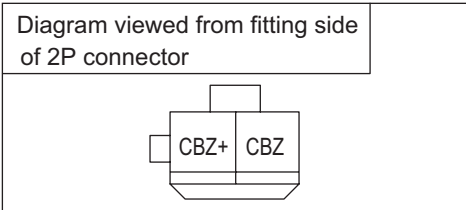


Fig. 4

E033733

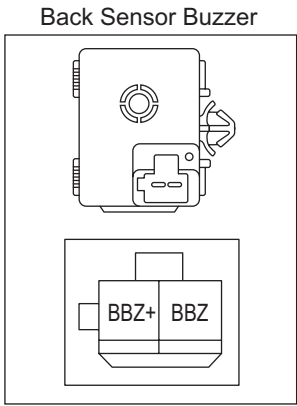
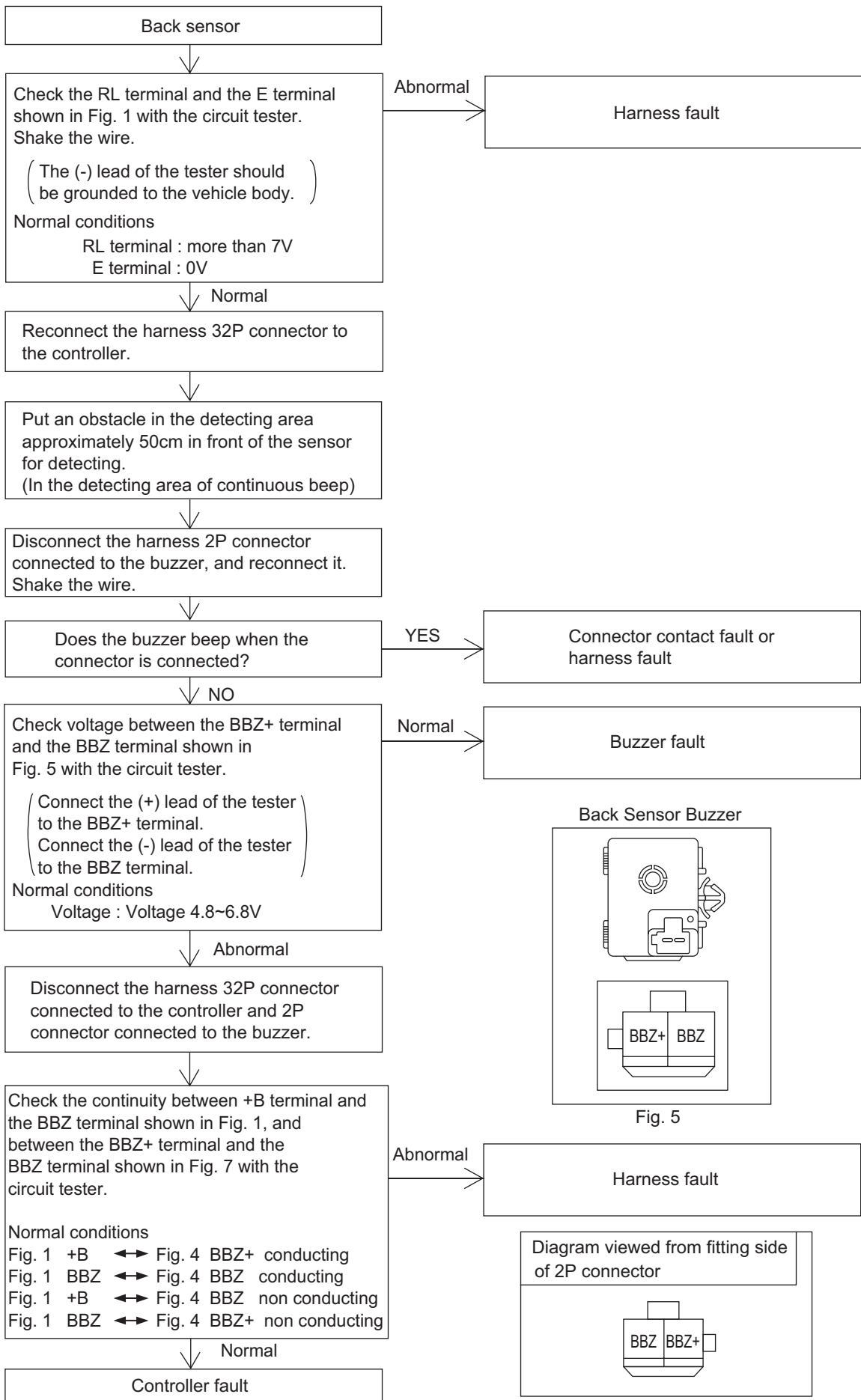


Fig. 5

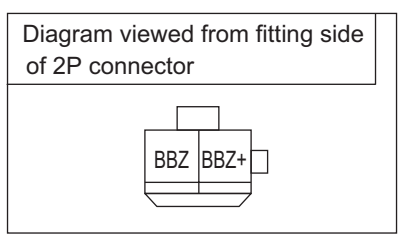


Fig. 6

2

## Corner or back sensor does not work at all. (Initial check function works.)

### MEMO

#### \*Initial check function

About 0.4 seconds after the system power is set to ON, buzzer will be heard for about 1 second continuously.

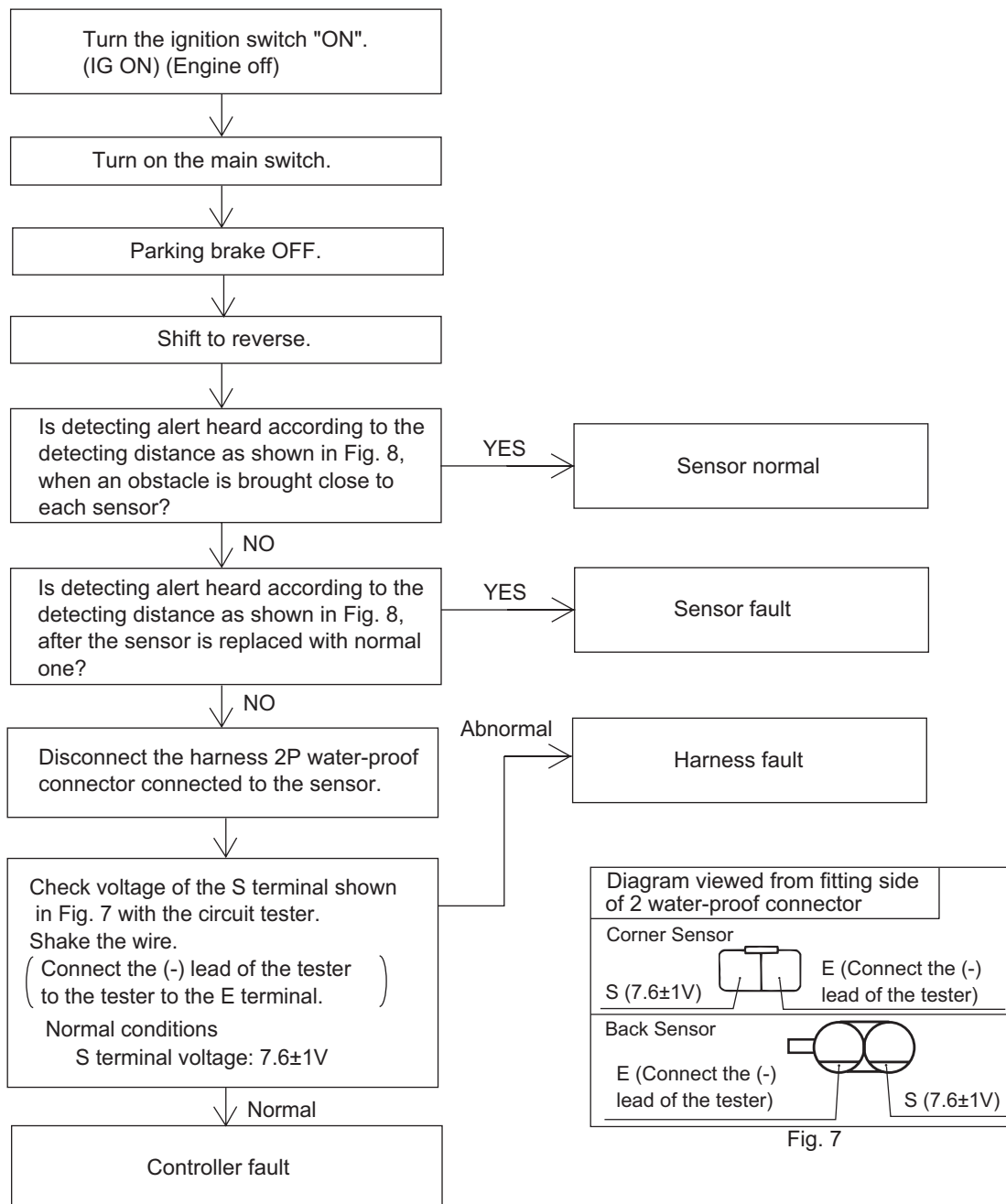
( System power ON means that the all following conditions have been satisfied.

Corner : Turn the ignition switch "ON" (IG ON), Turn on the main switch.

Back : Turn the ignition switch "ON" (IG ON), Turn on the main switch, Reverse ON.)

### CAUTION

- Provide a chock to prevent the vehicle from moving.
- Do not carry out the work while the engine is running.  
(Working during engine stop may cause the battery to run out.)

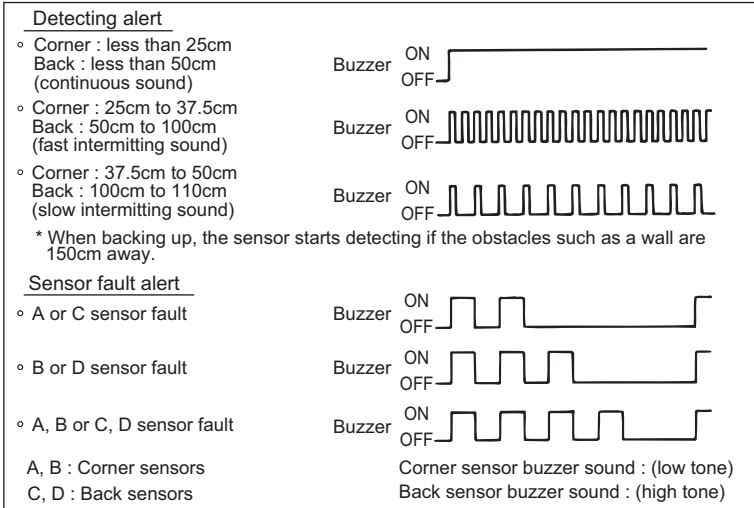
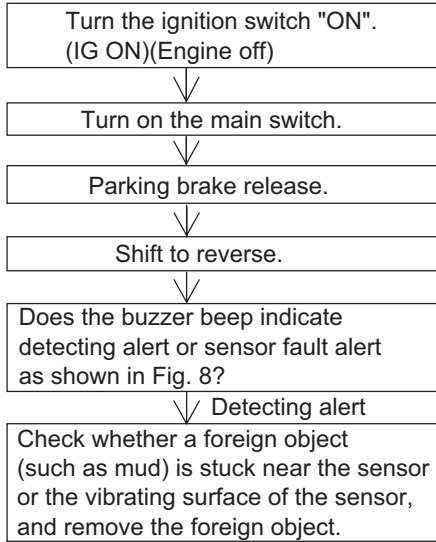


E033735

### 3 The buzzer cannot be turned off or continues intermittently

**CAUTION**

- Provide a chock to prevent the vehicle from moving.
- Do not carry out the work while the engine is running.  
(Working during engine stop may cause the battery to run out.)
- In case of sensor fault, detecting alert operation shown in Fig. 9 may occur.
- Make sure that there is no obstacle inside detecting area. (See Fig. 10.)



Sensor fault alert To ① on the next page.

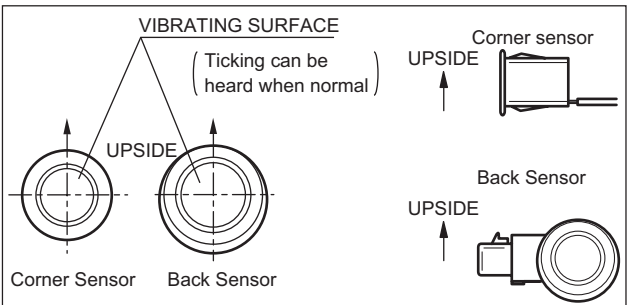
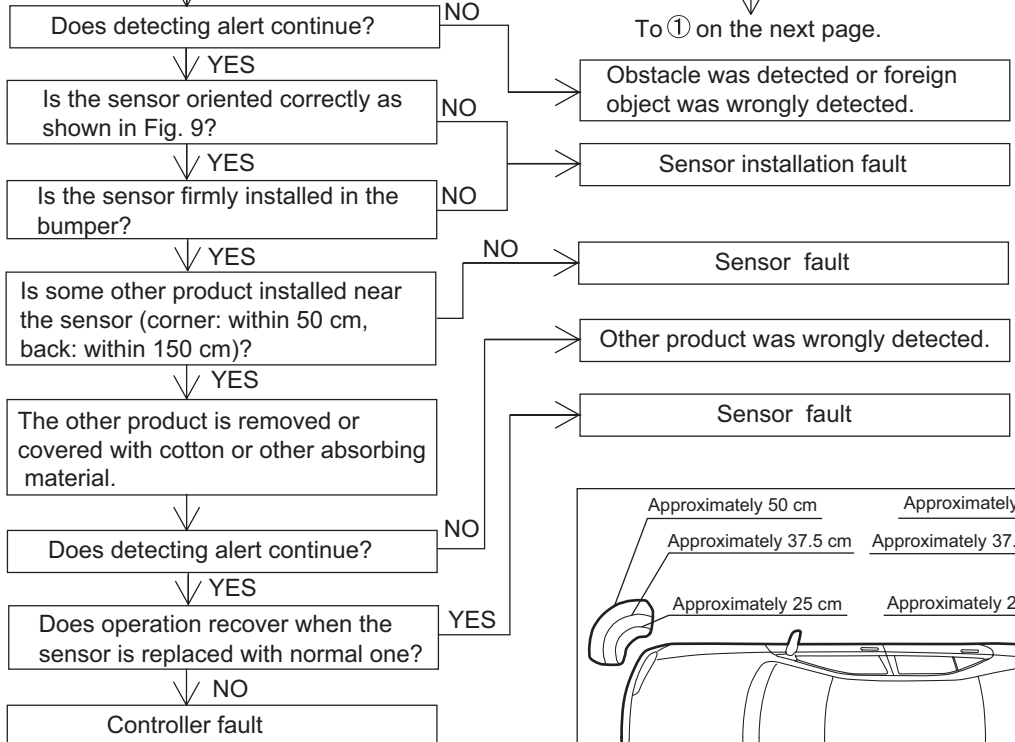


Fig. 9

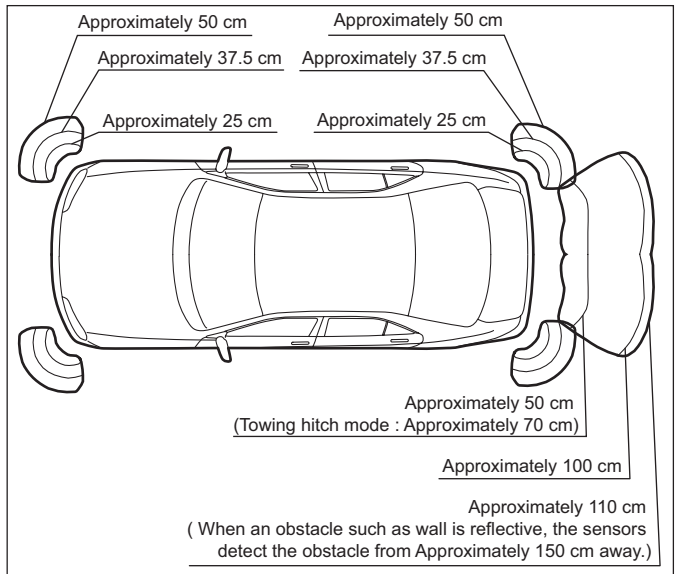


Fig. 10

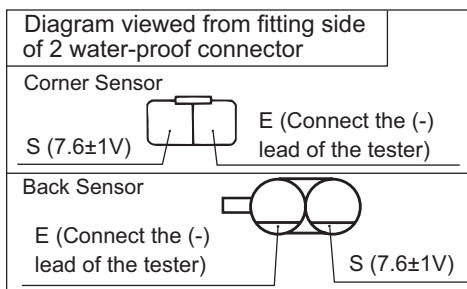
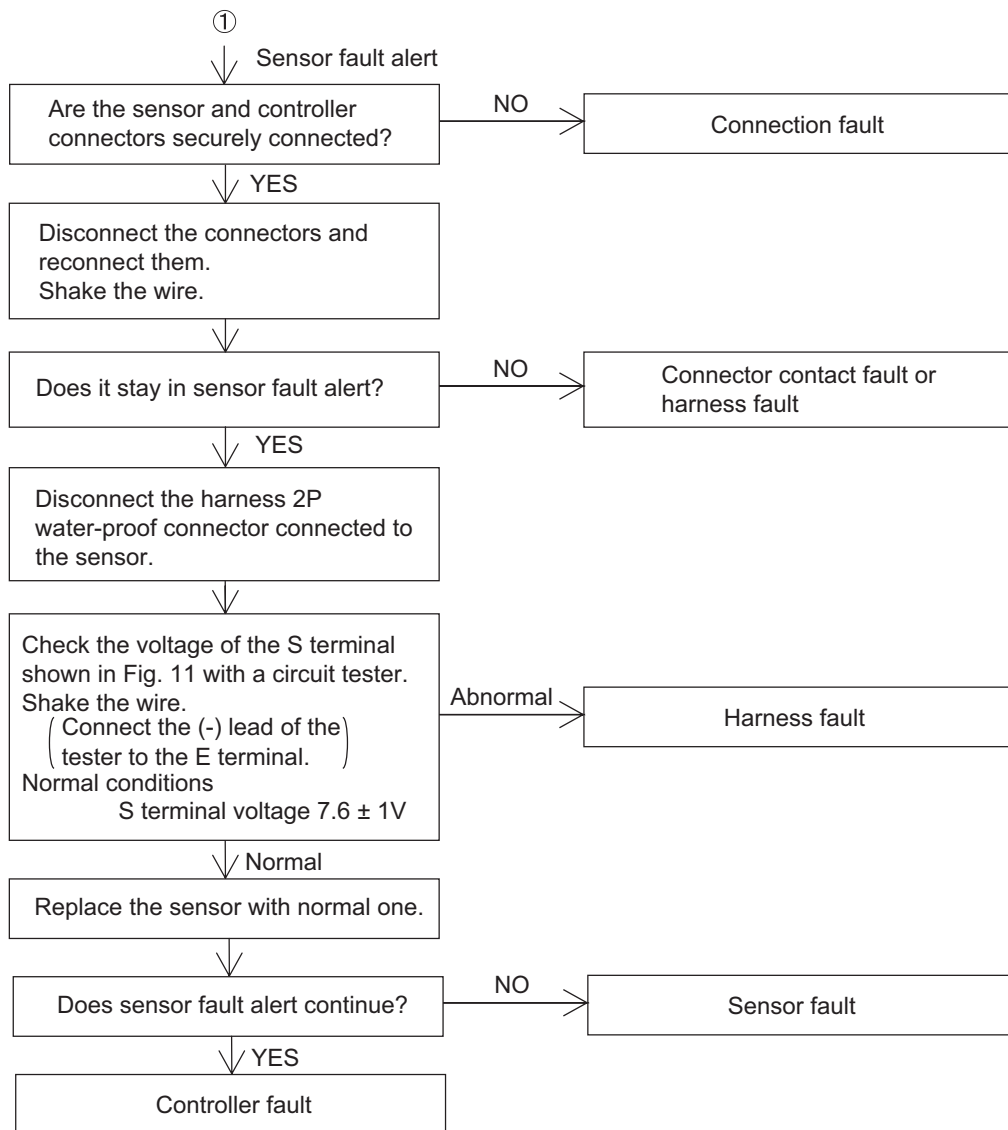
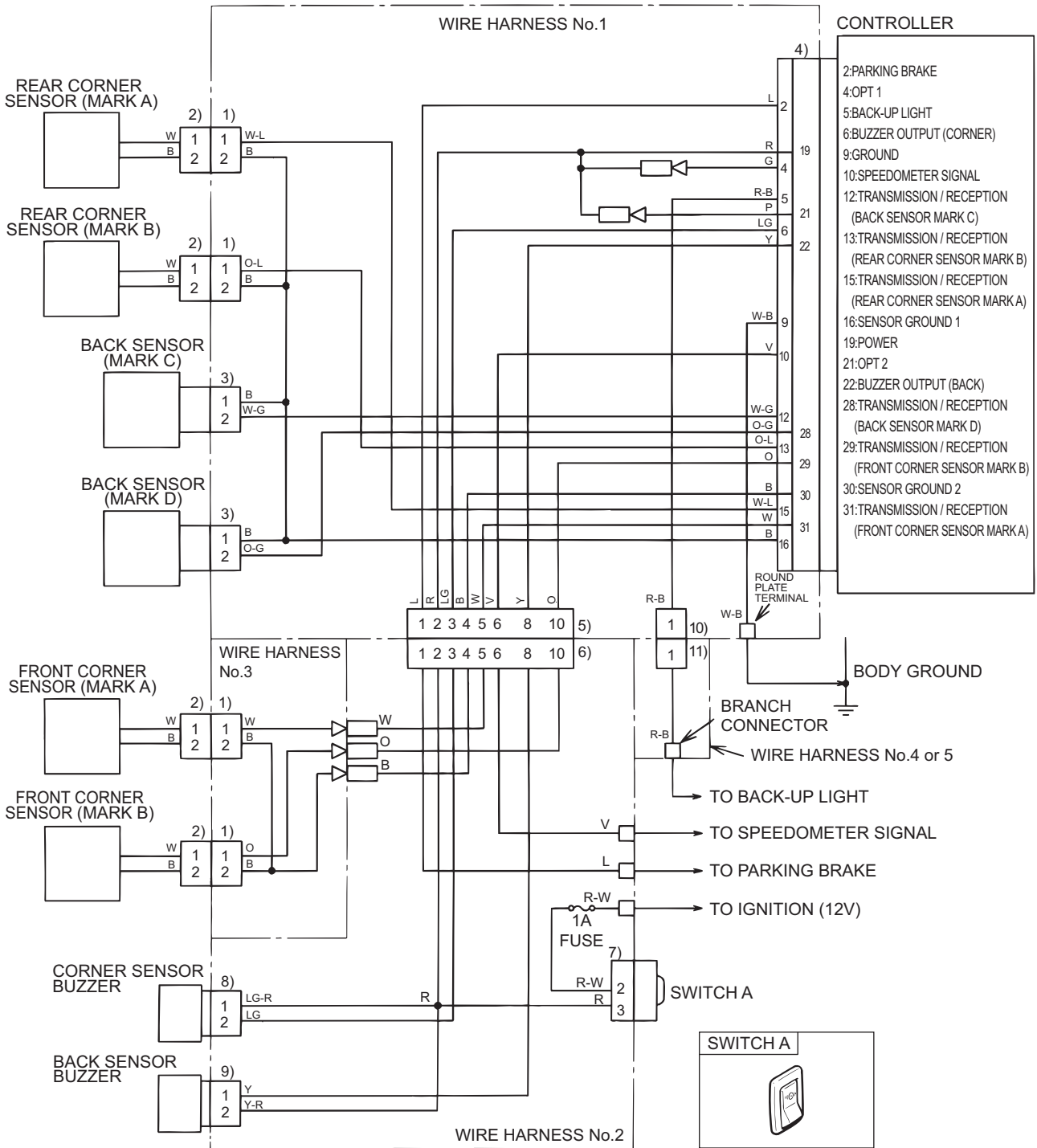


Fig. 11



# WIRING DIAGRAM

## Example of switch A



E010972

■ Example of switch B

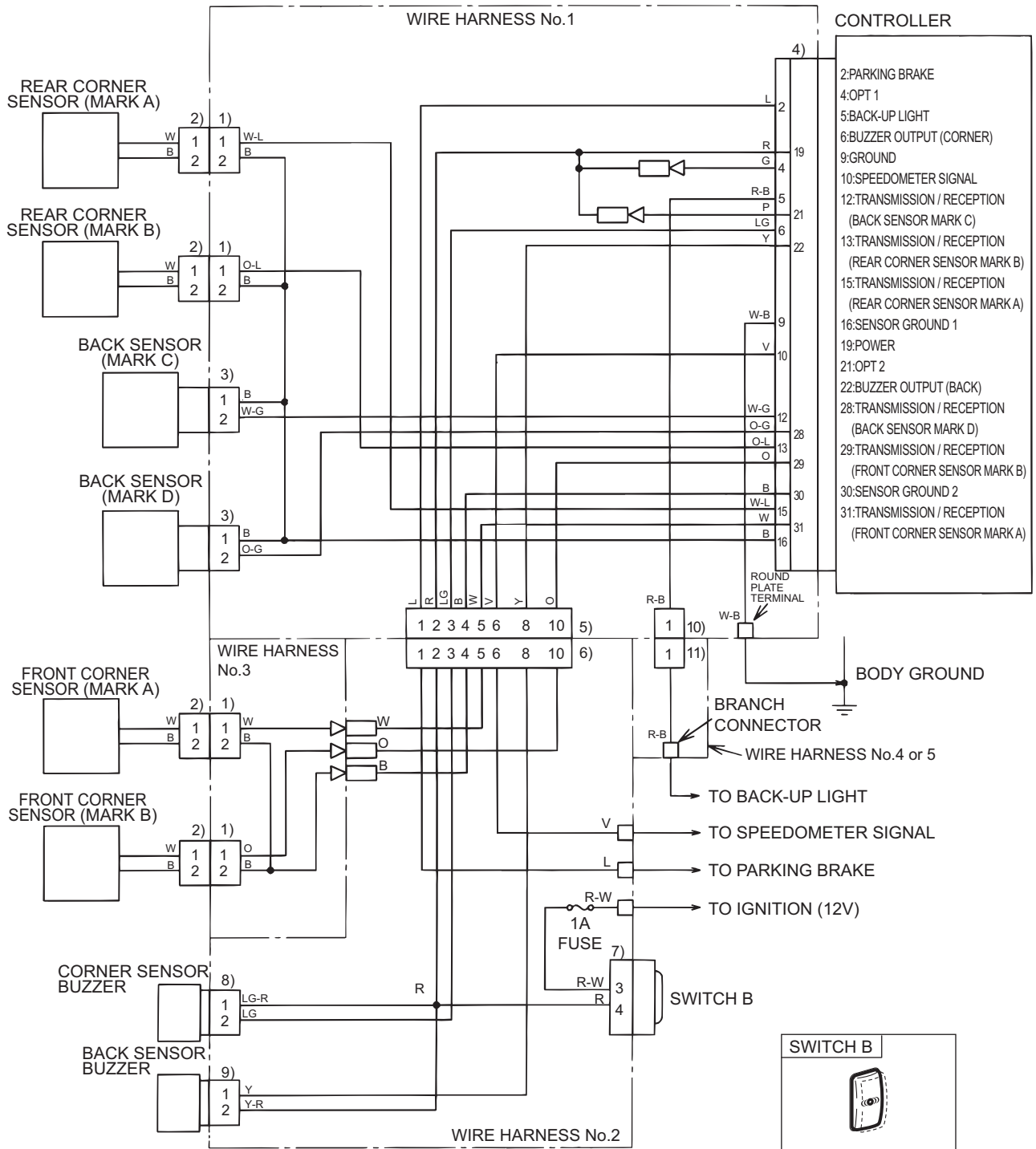
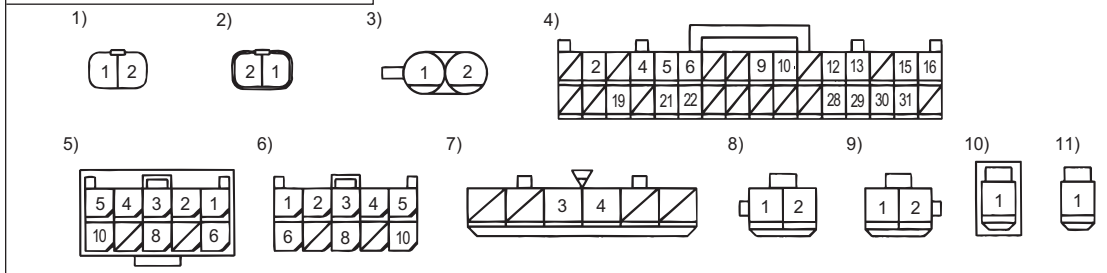


Diagram viewed from fitting side



E010973

[MEMO]

•Due to changes in vehicle and product specifications, the contents of this manual may no longer match the vehicle.

---

SUPERVISION : **TOYOTA MOTOR CORPORATION**      EDITING : **DENSO CORPORATION** SERVICE DEPARTMENT  
DATE OF ISSUE : AUGUST, 2004      DATE OF REVISION : JUNE, 2007